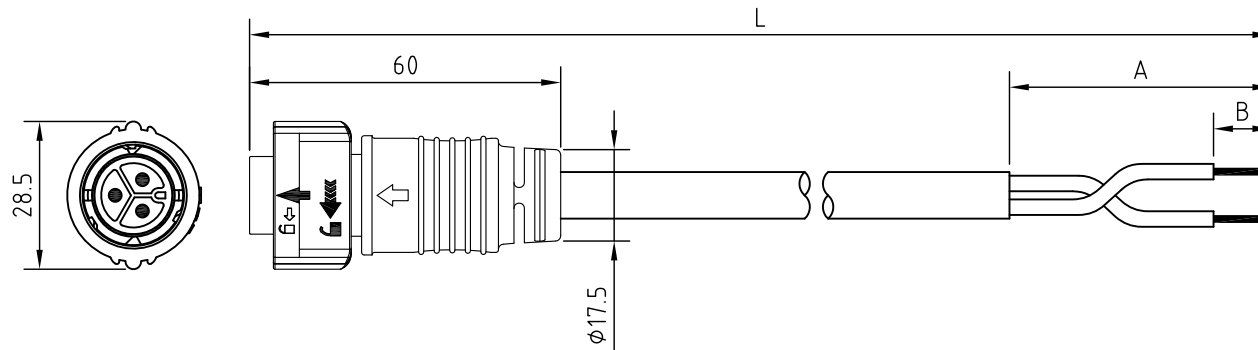


REV.	Description	Date
1	add 7P arrangement	2023/9/21



### Specification of connector

Locking system : Quick Push Lock  
 Termination : solder  
 Shell protection : IP68  
 Contact resistance : <10mΩ  
 Insulation resistance : >10MΩ

**Materials**  
 Pin contact : brass  
 Contact plating : gold  
 Male insert : PA  
 Ring nut : PA

### Specification of cable

Material Jacket	PVC	PUR
-----------------	-----	-----

RoHS

CONTACT ARRANGEMENT FRONT VIEW (MALE)						
	02P	03P	04P	05P	06P	07P(2+5)
Rated voltage	300V		250V	60V		120V
Rated current	20A		10A	10A		25A/5A



**Unicable Co., Ltd. 國陽電業有限公司**

5F., No. 111-33, Sec. 4, San Ho Road., San Chung Dist., New Taipei City, Taiwan, R.O.C.  
<http://www.unicable.com.tw> TEL:+886-2-2286-2122 FAX:+886-2-2286-1010

PART NO.	3103C-A02M11xxx-01/UT-D365M1-XP		
DATE	2023/9/21	UNIT	MM
DWN	GINA	REV.	1
CHK			

ITEM	Type J(J3): male conn. 2-7P
------	-----------------------------